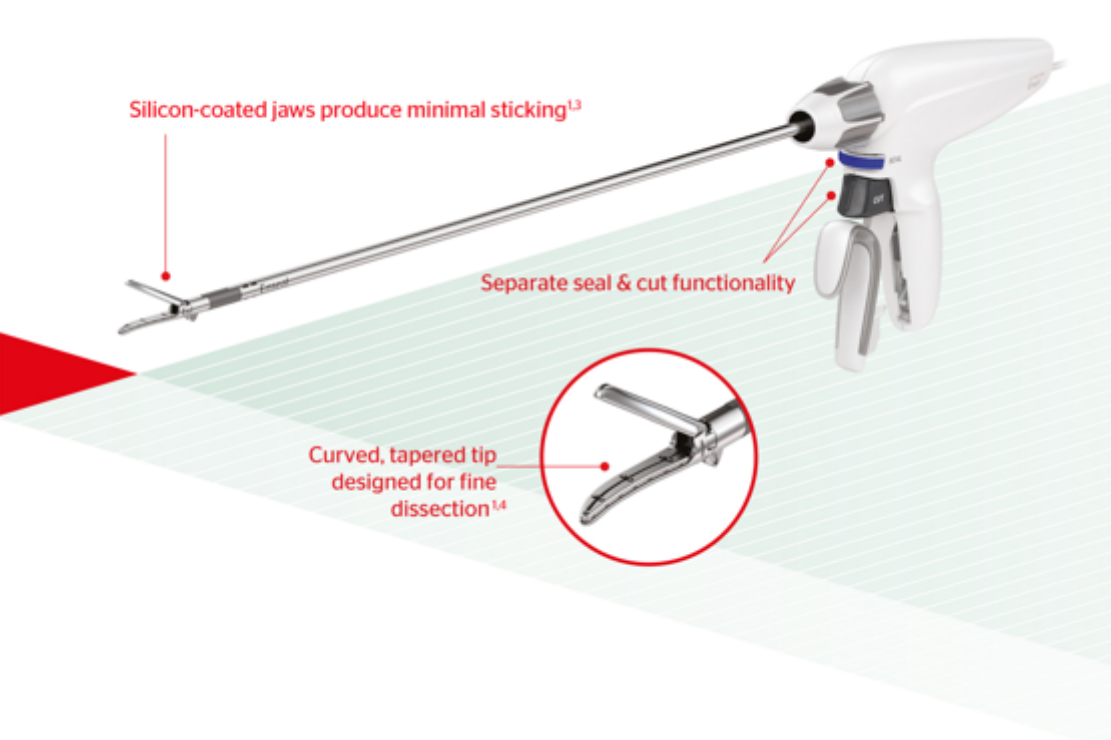
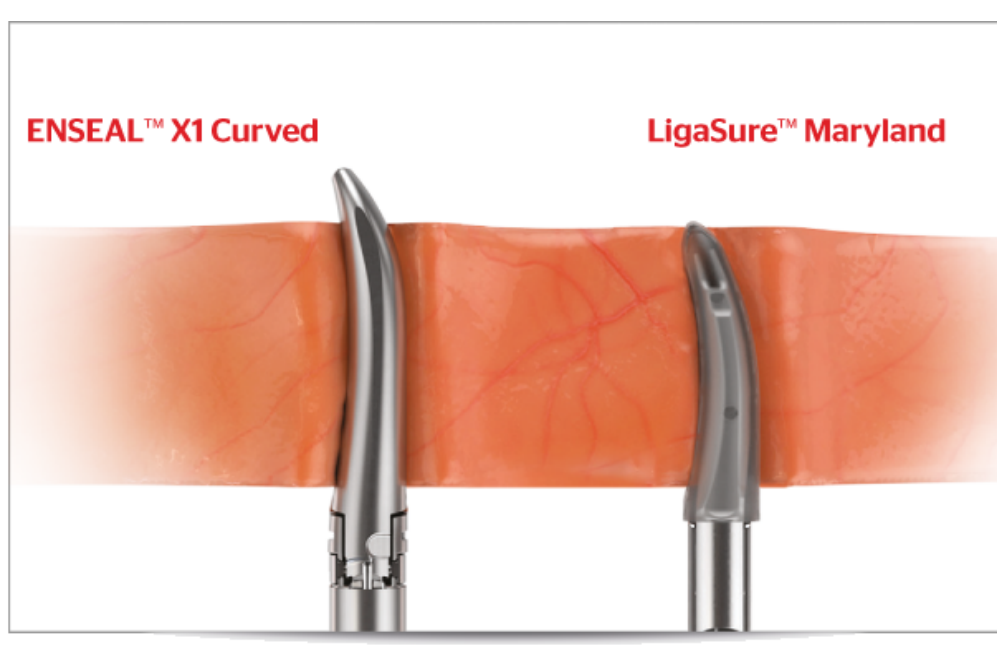


# You should always Expect More

Ethicon will always be committed to developing the very best devices to assist you in achieving optimal outcomes for your patients.

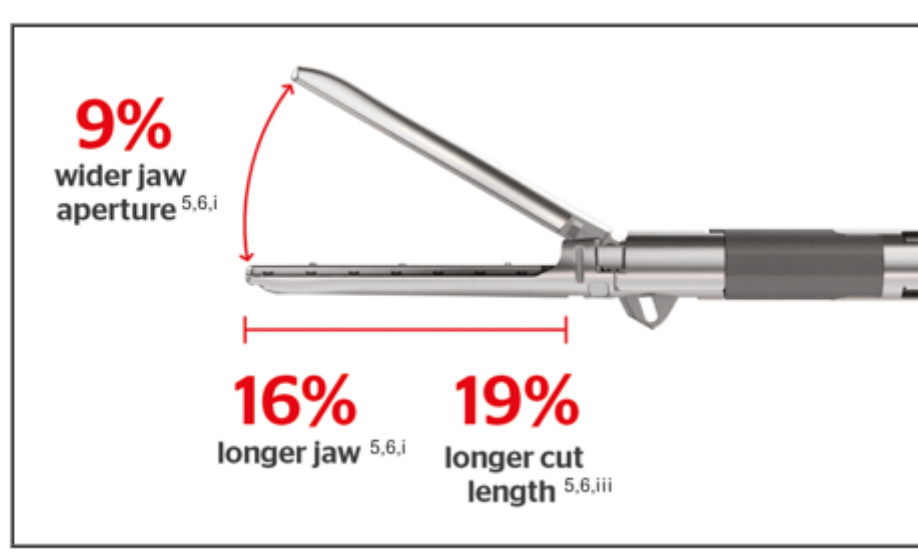
As part of this commitment, we have redesigned our Ethicon Energy Advanced Bipolar Portfolio, to provide secure sealing with more intuitive and simplified steps-for-use.<sup>1,2</sup>

The **ENSEAL™ X1 Curved Jaw** enhances the Ethicon Advanced Energy Portfolio. ENSEAL™ X1 Curved Jaw provides added versatility, through the ability to seal, cut, coagulate, grasp and dissect - all with the single device.



It features a curved, tapered tip designed for fine dissection<sup>1,4</sup>, which captures more tissue per bite, thanks to a **16% longer jaw** and 9% wider jaw aperture compared to LigaSure™ Maryland<sup>5,6,i</sup>. ENSEAL™ X1 Curved Jaw has the capability to seal vessels up to and including 7mm and lymphatics.<sup>7</sup>

Additionally, ENSEAL™ X1 Curved Jaw features continuous **360° shaft rotation** to enable access to targeted tissue<sup>1,7</sup>, along with **better distal tip grasping** compared to LigaSure™ Maryland.<sup>8,ii</sup>



## More efficiency<sup>5,6,iii</sup> and secure sealing<sup>9,iv</sup>

[read more](#)

[watch video](#)

Thanks to our Adaptive Tissue Technology, ENSEAL™ X1 Curved Jaw produces minimal lateral thermal spread<sup>10,v</sup>

The new ENSEAL™ X1 Curved Jaw is designed to offer you more efficiency<sup>5,6,iii</sup> from your Advanced Bipolar device.

**Talk to your Ethicon representative to learn more.**

Please refer always to the Instructions for Use/Package Insert that come with the device for the most current and complete instructions. Before using any medical device, review all relevant Instructions for Use, Package Inserts or Summary of Product Characteristics, with particular attention to the indications, contraindications, warnings and precautions, undesirable effects, and steps for use of the medical device.

This electronic message may contain information that is proprietary, confidential, or legally privileged or protected. It is intended only for the use of the individual(s) and entity in the message. If you are not an intended recipient of this message, please notify the sender immediately and delete the material from your computer. Do not deliver, distribute or copy this message and do not disclose its contents or take any action on the reliance on the information it contains.

© Ethicon Endo-Surgery (Europe) GmbH 2020, 154042-200924 EMEA

1. Ethicon, DOC023555A, A Floyd Claims Memo Industrial Design, July 2018, Data on File (155321-201009, 152444-200909 EMEA, 152450-200909 EMEA, 152441-200909 EMEA) 2. Ethicon, PRC095915A, Curved Design Validation 2 Completion Report, June 2020, Data on File (155321-201009) 3. Ethicon, PRC074959A, Brick EB2 Silicone versus No Silicone Testing, Sept 2016, Data on File (152444-200909 EMEA) 4. Ethicon, DOC024721A, Floyd Marketing Claims Memo, Jan 2019, Data on File (152450-200909 EMEA) 5. Ethicon, Project Floyd: Claims Metrology Report, June 2018, PRC079564B (145041 - 200629 EMEA, 145163 - 200630 EMEA) 6. Ethicon, Floyd Relaunch Claims Metrology, June 2020, PRC095763A (145041 - 200629 EMEA, 145163 - 200630 EMEA) 7. As per Instructions for use (130176 - 200102 EMEA, 152441-200909 EMEA) 8. Ethicon, Floyd Relaunch Claims Grasping Force, June 2020, PRC096063A (145160 - 200630 EMEA) 9. Ethicon, PSP007612A, Evaluation of ENSEAL™ X1 Tissue Sealer NSLX137C, Curved Jaw, in an Acute Porcine Model, Feb 2020, Data on File (145165 - 200630 EMEA) 10. Ethicon, PSP007612A, Evaluation of ENSEAL™ X1 Tissue Sealer, Curved Jaw, in an Acute Porcine Model, Feb 2020, Data on File (145177 - 200630 EMEA)

i. Based on LigaSure™ Maryland (ENSEAL X1 Curved Jaw Tissue Sealer has a 16% (or 3.4mm) longer jaw than LigaSure™ Maryland (LF1937) (p < 0.001) and ENSEAL X1 Curved Jaw Tissue Sealer has a 9% (or 1.15mm) wider jaw aperture than LigaSure™ Maryland (LF1937) (p < 0.001). (145041-200629 EMEA) ii. Grasping force measured as the maximum amount of force required to pull porcine jejunum from the distal tip of device jaws. Comparison of ENSEAL X1 Curved Jaw to LigaSure™ Maryland (LF1937) (p < 0.001) (145160 - 200630 EMEA) iii. ENSEAL X1 Curved Jaw Tissue Sealer can capture, seal and transect a longer length of tissue per single activation due to a 16% (or 3.4mm) longer jaw (p < 0.001) and a 19% (or 3.5mm) longer cut length (p < 0.001) compared to LigaSure™ Maryland (LF1937). (145163-200630 EMEA) iv. 112 of 112 vessels sealed successfully on first pass in an acute porcine model. All seals maintained hemostasis during blood pressure challenge. During blood pressure challenge, systolic blood pressure was increased to at least 200 mmHg for a minimum of 10 minutes to simulate a hypertensive crisis. (145165 - 200630 EMEA) v. Mean thermal spread measured via histology on porcine carotid arteries. (145177 - 200630 EMEA)